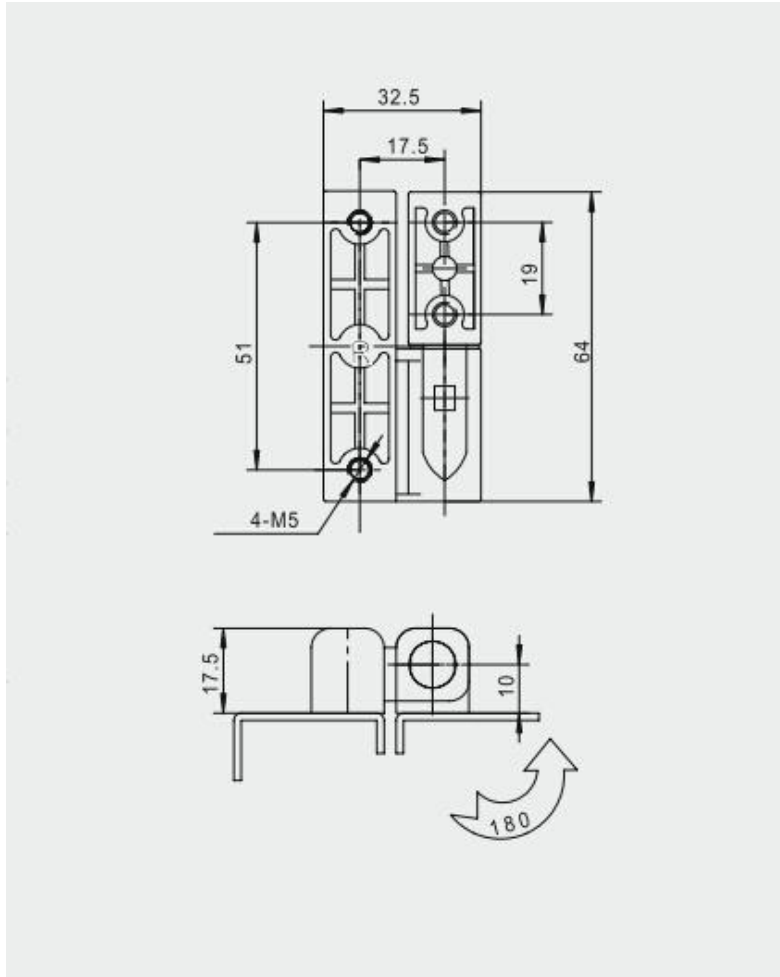


Cabinet Door Hinge MK900



Material	Zinc alloy, steel
Finished	Gray chrome, black powder coating
Key Combination	
Applications	Terminal equipment, electrical/metal/wooden cabinet, underground strobe, vending/game machine, locker, AD showcase, vehicle, street kiosk, server, etc.
Speciality	<ol style="list-style-type: none"> 1. Stronger cabinet hinge, corrosion-resistant material. 2. Quick, easy door removal. 3. Cost effective with simple installation. 4. Customer-oriented development available.