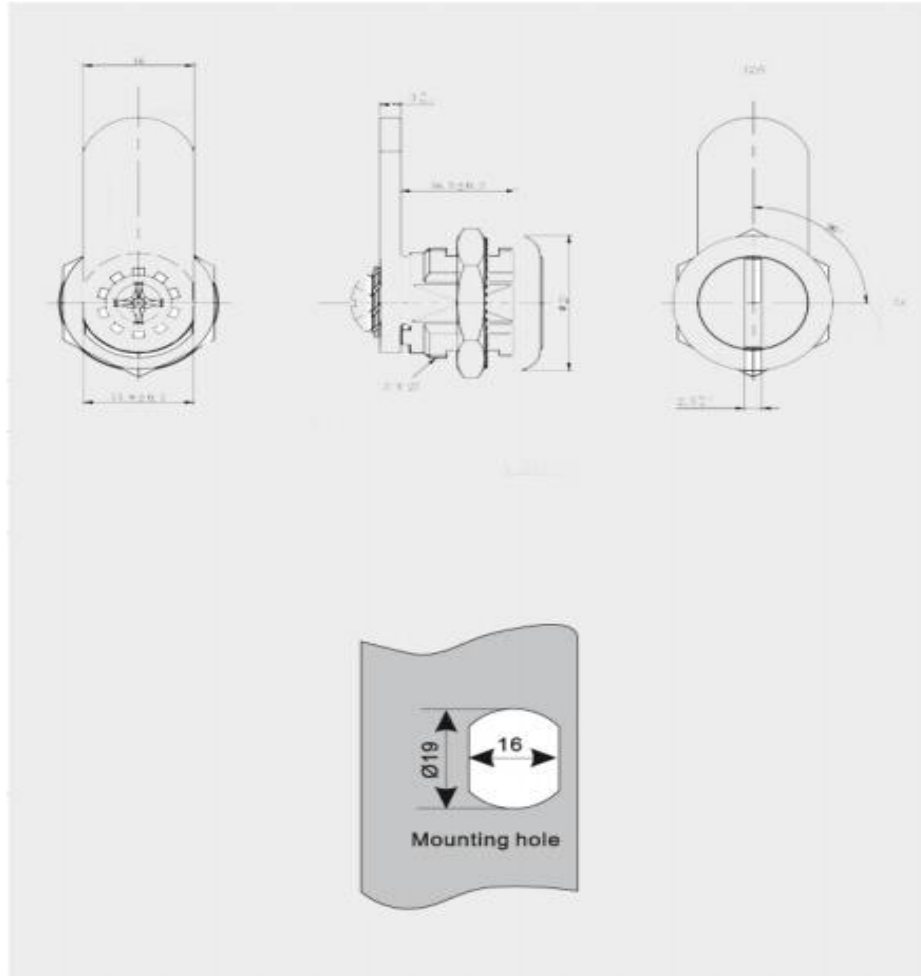


Multi-Point Handle Lock MK402



| | |
|-----------------|--|
| Material | Zinc alloy |
| Finished | Satin chrome |
| Key Combination | 50 |
| Applications | Terminal equipment, electrical/metal/wooden cabinet, underground strobe, vending/game machine, AD showcase, street kiosk, server, locker, etc. |
| Speciality | <ol style="list-style-type: none"> 1. Stronger handle and durable finish. 2. Flat key system, key insert & pull smoothly. 3. Customer-oriented development available. |

Learn more Locks products on <http://www.makelocks.com/>

Copyright © Xiamen Make Locks Manufacturer Co., Limited