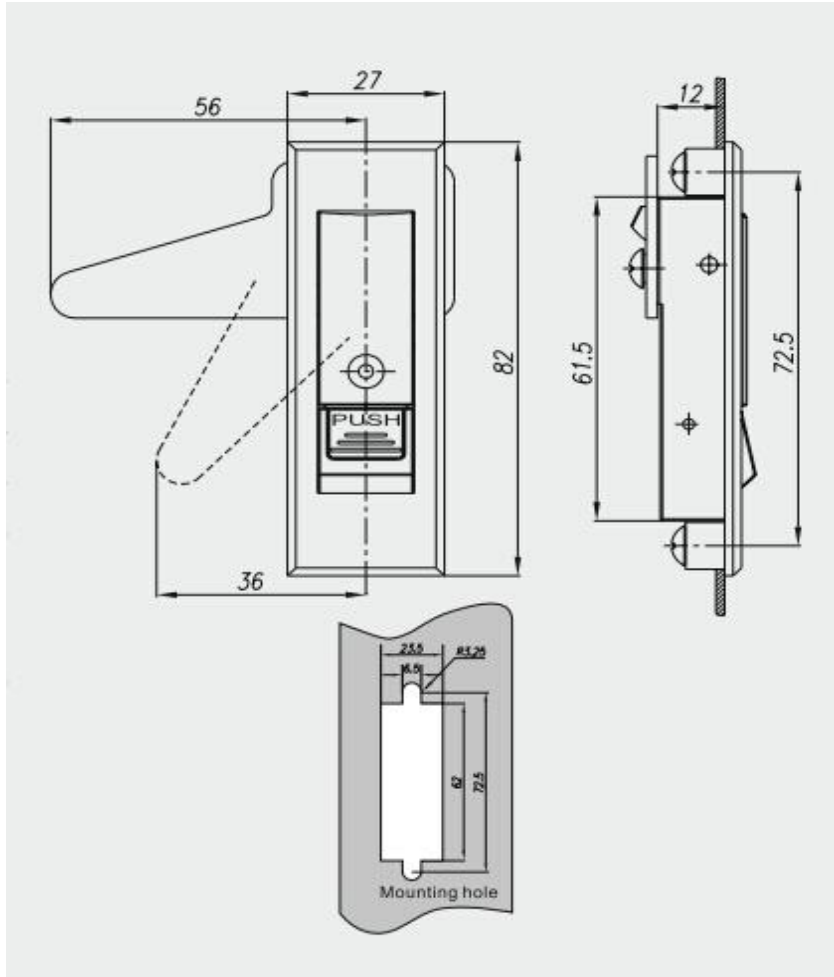


Plastic Cabinet Lock MK403-1



Material	Zinc alloy
Finished	Gray chrome, nickel plated
Key Combination	
Applications	Terminal equipment, electrical/metal/wooden cabinet, underground strobe, vending/game machine, AD showcase, street kiosk, server, locker, etc.
Speciality	<ol style="list-style-type: none"> 1. Press button to lock & unlock, handle convenient. 2. Stronger handle and durable finish. 3. Customer-oriented development available.

Learn more Locks products on <http://www.makelocks.com/>

Copyright © Xiamen Make Locks Manufacturer Co., Limited