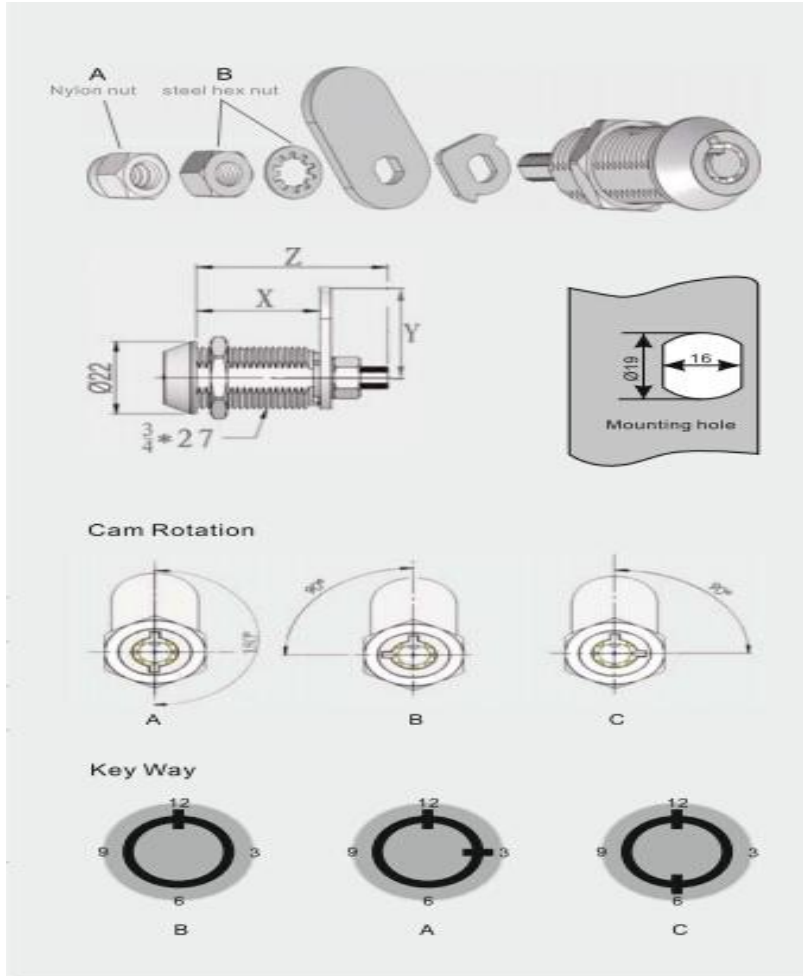


## 22.5mm Radial Pin Cam Lock MK100BM



Material	Zinc alloy, brass, steel & stainless steel.
Finished	Bright chrome, nickel
Key Combination	Over 10,000
Applications	Intellectualized terminal equipment, metal/wooden cabinet, underground strobe, vending/game machine, locker, AD showcase, coin-op, mail box & tools box, street kiosk, furniture, POS, parking meter, etc.
Speciality	<ol style="list-style-type: none"> <li>1. Master and manage key systems for selection.</li> <li>2. 7 pins or 10 pins available.</li> <li>3. Higher security with anti-drill ball.</li> <li>4. Customer-oriented development available.</li> </ol>