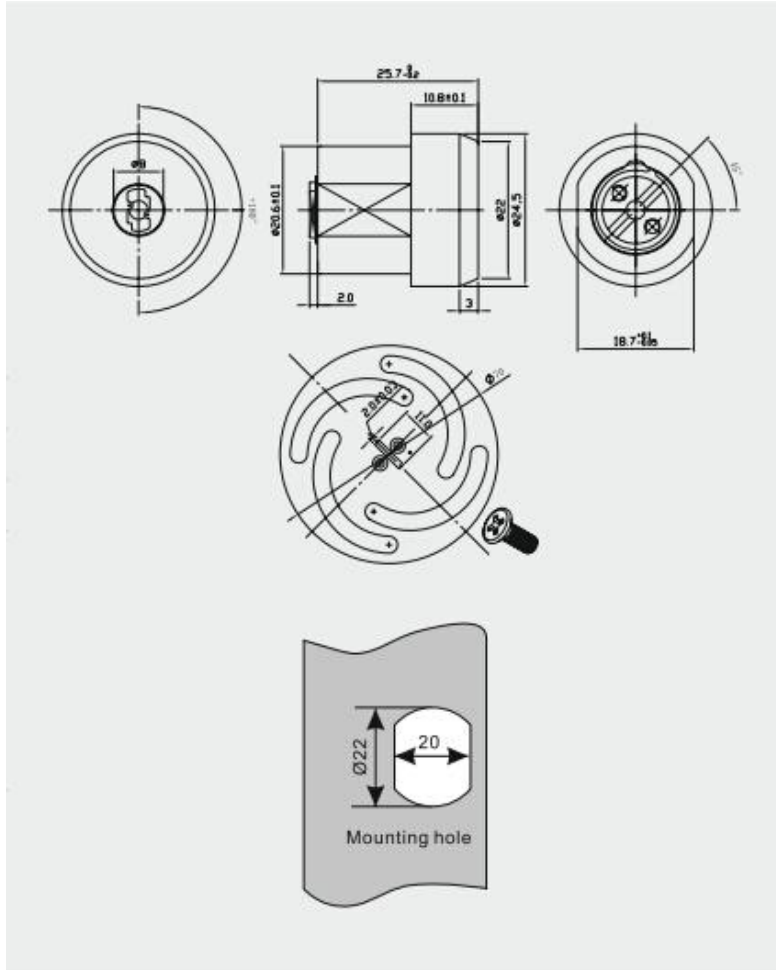


## Furniture Cam Lock MK102S-19



Material	Stainless steel, brass
Finished	Bright chrome, nickel
Key Combination	Over 10,000
Applications	Intellectualized terminal equipment, metal/wooden cabinet, pay phone, underground strobe, vending/game machine, safety box, locker, coffer, AD showcase, coin-op, vehicle, mail box & tools box, transport container, rifles outboard engine, street kiosk, gun-stock, trailer, train, parking meter, etc.
Speciality	<ol style="list-style-type: none"> <li>1. Top security key system, four type key selection.</li> <li>2. Durable material anti rust, anti drill, waterproof.</li> <li>3. Special cam.</li> <li>4. Customer-oriented development available.</li> </ol>