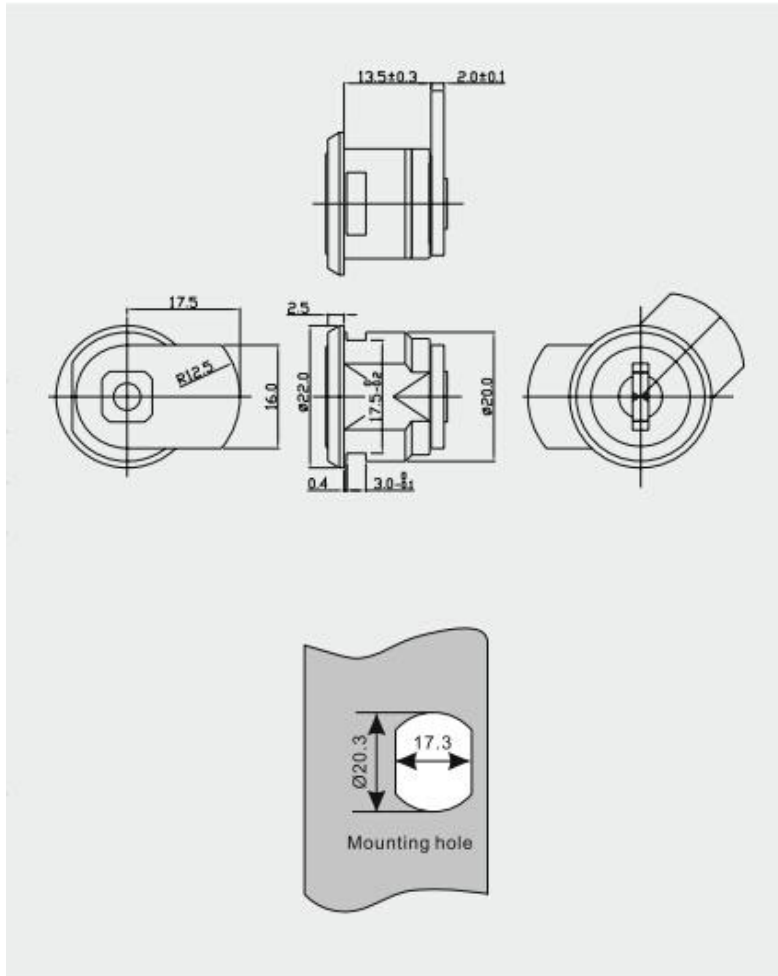


Zinc Alloy Economy Cam Lock MK104-16



Material	Zinc alloy
Finished	Bright chrome, nickel
Key Combination	500
Applications	Intellectualized terminal equipment, metal/wooden cabinet, underground strobe, vending/game machine, locker, AD showcase, coin-op, mail box & tools box, street kiosk, furniture, POS, parking meter, etc.
Speciality	<ol style="list-style-type: none"> 1. Superior wafer cam lock. 2. Spring loaded disc tumbler system. 3. Customer-oriented development available.