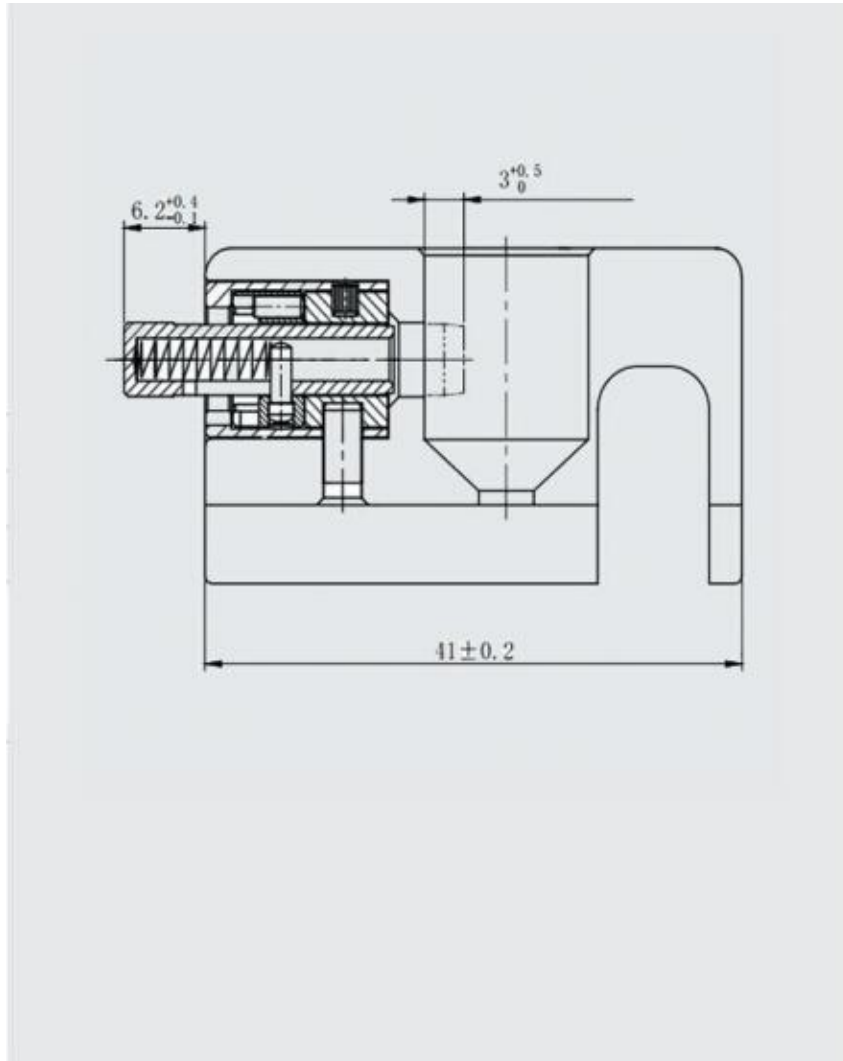


Computer Case Lock MK800-1



Material	Zinc alloy
Finished	Nickel plated
Key Combination	1000
Applications	Computer, notebook, laptop, ipad, monitor, printer, projector etc.
Speciality	<ol style="list-style-type: none"> 1. Seven pin tubular lock mechanism for pick resistance. 2. With green nickel plated, RoHS compliance. 3. Secure the computer case.