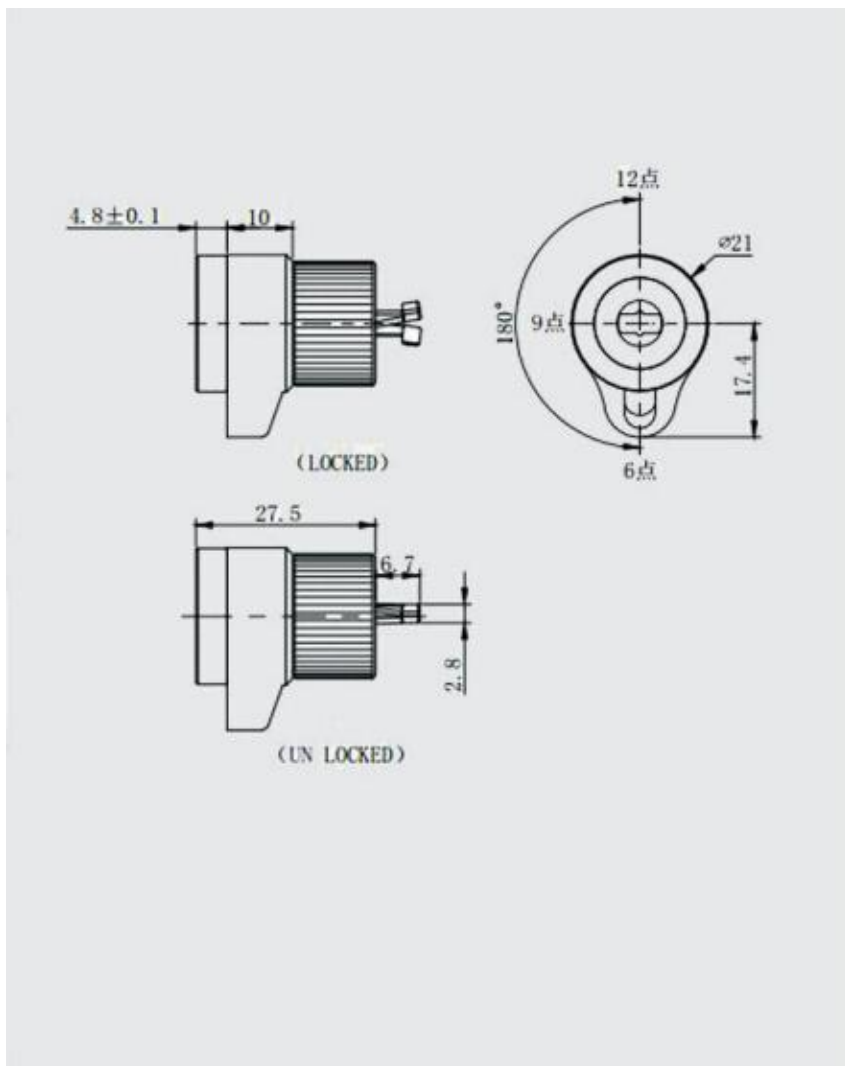


## Security Laptop Lock MK803



Material	Zinc alloy lock head, steel cable
Finished	Stain chrome lock, PVC coating cable
Key Combination	
Applications	Laptop, desktop, notebook, digital camera, printer, projector, etc.
Speciality	<ol style="list-style-type: none"> <li>1. High security disc lock mechanism for pick resistance.</li> <li>2. With satin chrome plated, RoHS compliance.</li> <li>3. With strong nickel brass keys.</li> <li>4. Easy to install &amp; use in the office or traveling.</li> </ol>