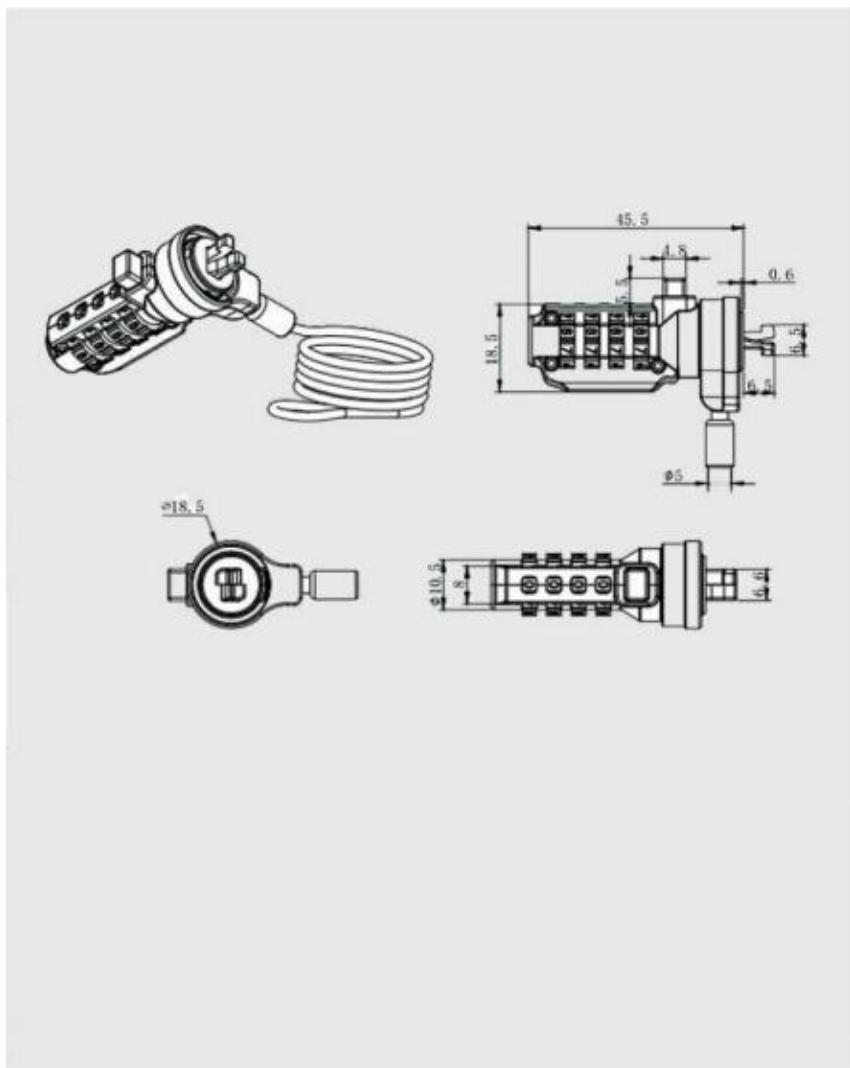


## Combination Laptop Lock MK815



Material	Zinc alloy lock head, steel cable
Finished	Stain chrome lock, PVC coating cable
Key Combination	
Applications	Laptop, desktop, notebook, digital camera, printer, projector, etc.
Speciality	<ol style="list-style-type: none"> <li>1. 4-digit resettable combination laptop lock.</li> <li>2. With green nickel plated, RoHS compliance.</li> <li>3. Easy-view window on combinations.</li> <li>4. Freedom of rotation with 360 degree.</li> <li>5. Easy to install &amp; use in the office or traveling.</li> </ol>