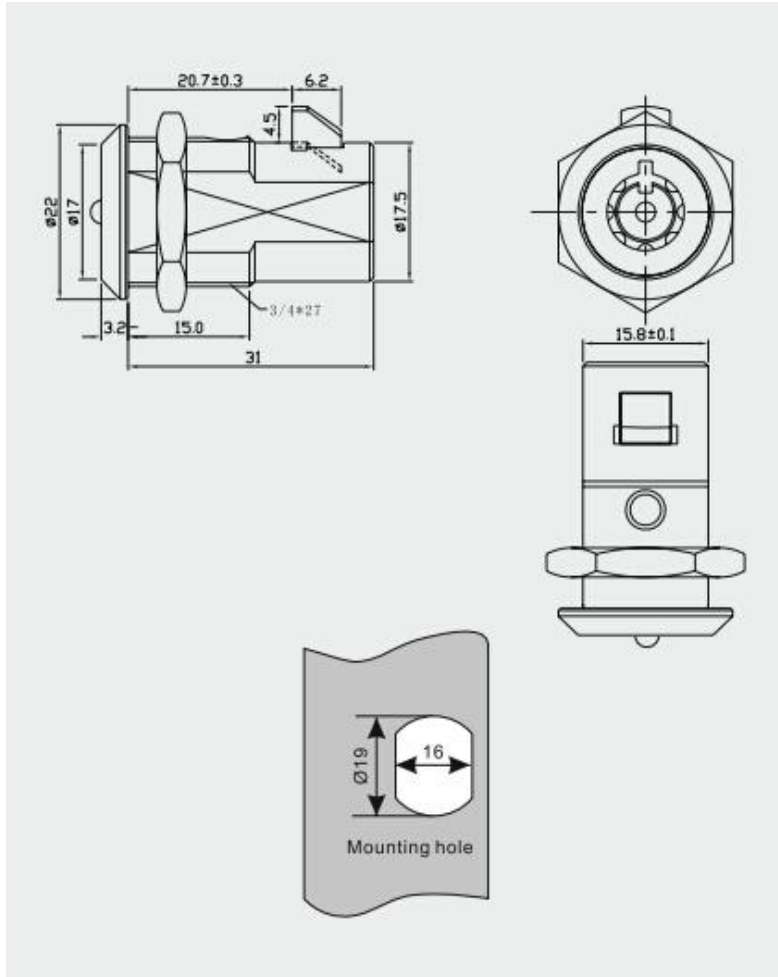


Tubular Plunger Lock Barrel MK203-7



Material	Zinc alloy
Finished	Bright chrome
Key Combination	10,000
Applications	Terminal equipment, electrical/wooden/metal cabinet, underground strobe, locker, coffer, showcase, vehicle, tools box, transport container, rifles outboard engine, trailer, train, automobile, boat, parking meter, etc.
Speciality	<ol style="list-style-type: none"> 1. Tongue move up and down. 2. Customer-oriented development available.

Learn more Locks products on <http://www.makelocks.com/>

Copyright © Xiamen Make Locks Manufacturer Co., Limited