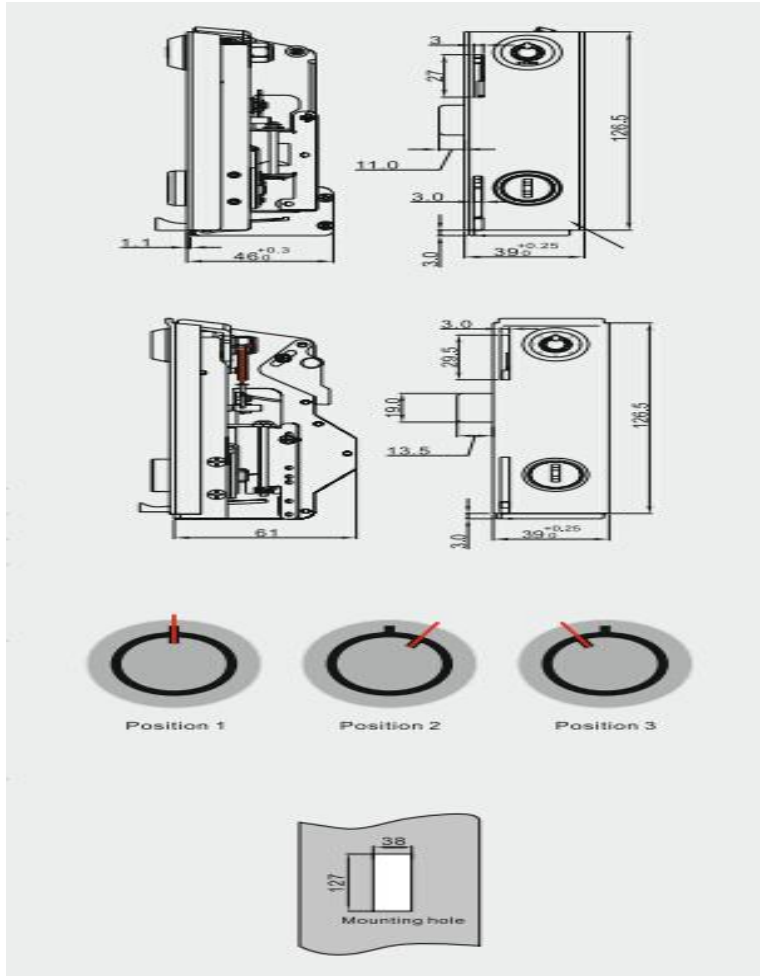


Coin Locker Lock MK302



| | |
|-----------------|---|
| Material | Stainless steel |
| Finished | Shiny chrome, nickel plated |
| Key Combination | User key and manage key |
| Applications | Locker, metal cabinet, boxes, storage etc. |
| Speciality | <ol style="list-style-type: none"> 1. Stainless steel material anti-drill, anti-pry, anti-rust. 2. Two lock cylinders. 3. Coin lock load and unload into the locker by manage key. 4. Both coin free or coin charge available. 5. Coin lock workable for different country coin. |