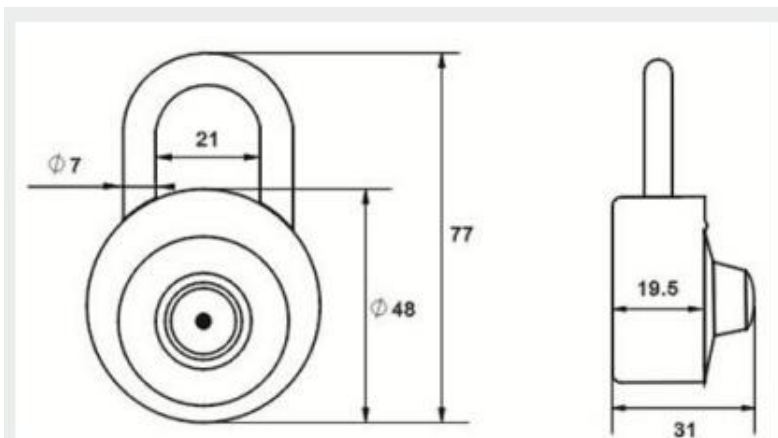


Round Combination Locker Lock MK710



Material	Brass, stainless steel
Finished	Bright chrome
Key Combination	10,000
Applications	Locker, cabinet, gym locker, swimming pool locker, metal and laminate lockers, etc.
Speciality	<ol style="list-style-type: none"> 1. Override key for door emergency opening. 2. Combination design, Keyless convenience. 3. Set the code yourself.