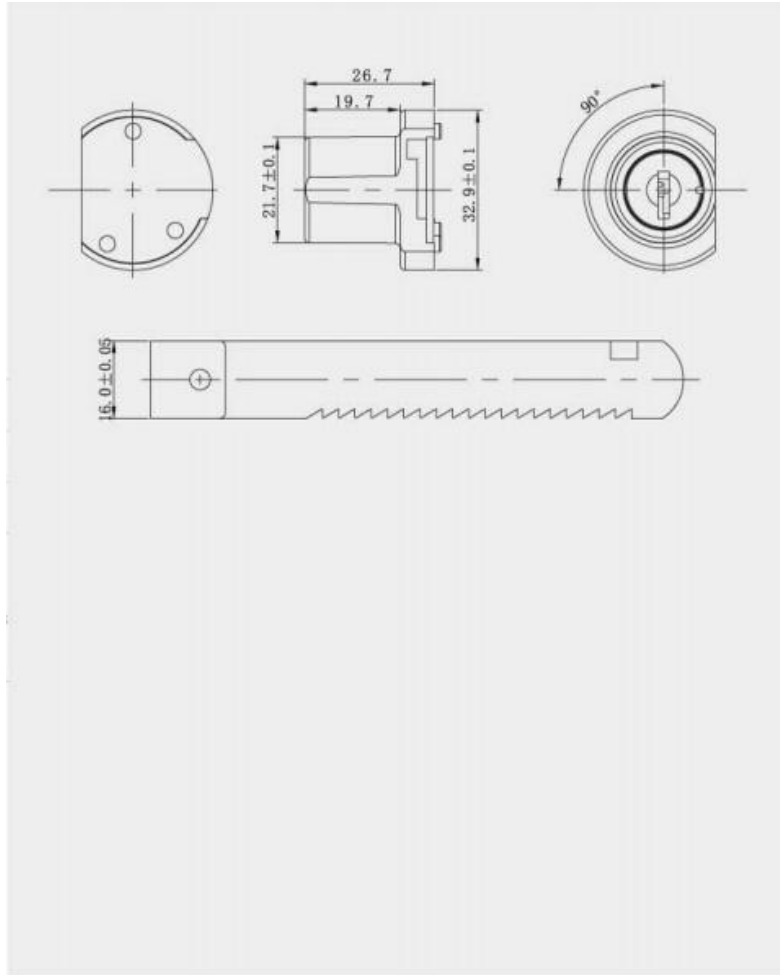


Glass Sliding Door Lock MK104-33



Material	Zinc alloy
Finished	Bright chrome
Key Combination	1000
Applications	Sliding door, sliding window, double acting door, folding door, glass door, glass window, etc.
Speciality	<ol style="list-style-type: none"> 1. Different terminal available. 2. Hex nut mounted. 3. Customer-oriented development available.

Learn more Locks products on <http://www.makelocks.com/>

Copyright © Xiamen Make Locks Manufacturer Co., Limited