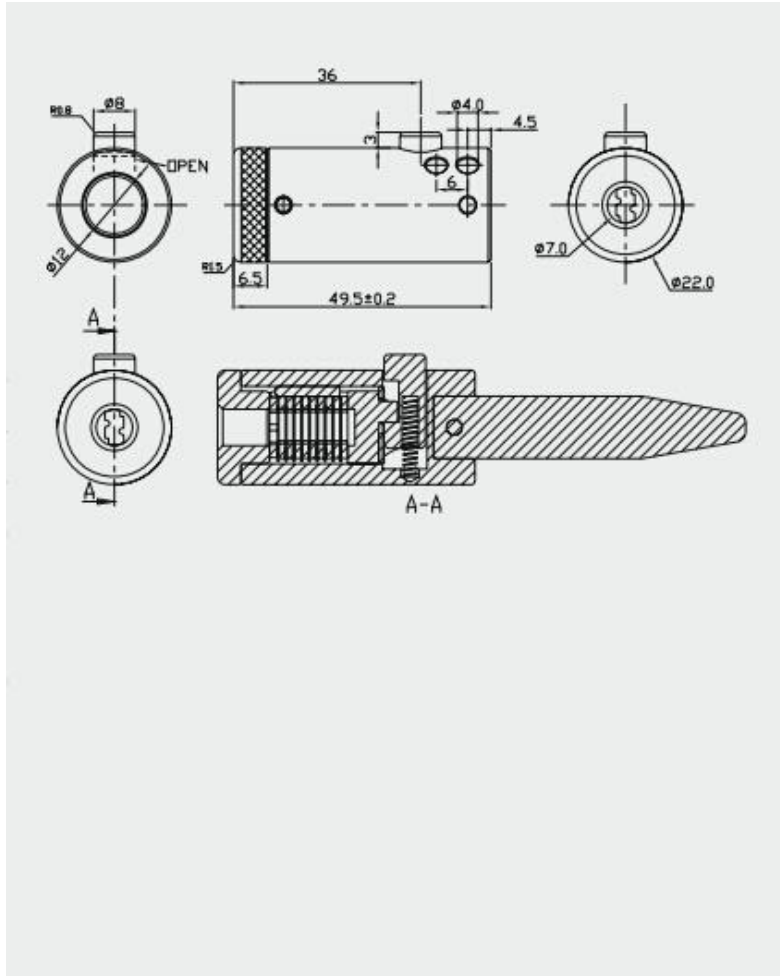


Steel Vehicle Lock MK206-03



Material	Steel
Finished	Bright chrome, black powder coating.
Key Combination	10,000
Applications	Automobile, truck, trailer, van, car, etc.
Speciality	<ol style="list-style-type: none"> 1. Gear lock design for different truck. 2. Spindle size different available. 3. Stronger material and security key system. 4. Customer-oriented development available.