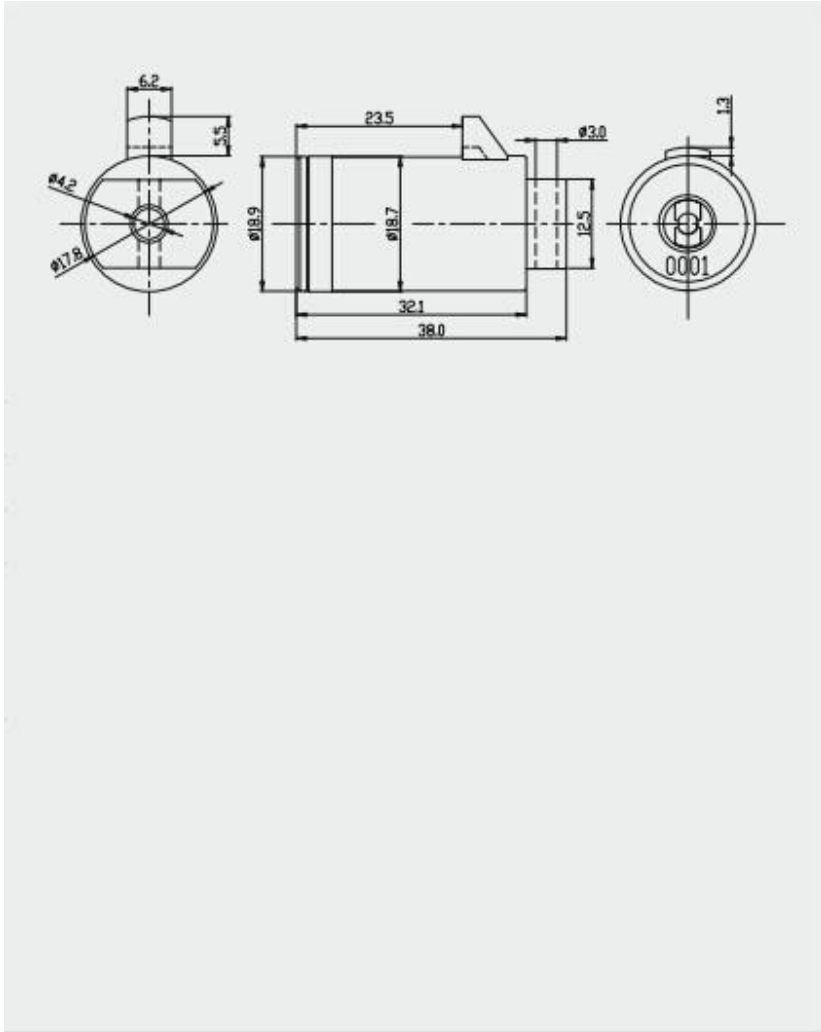


Disc Tumbler Plunger Lock MK203-1E



Material	Zinc alloy
Finished	Bright chrome, nickel
Key Combination	Over 10,000
Applications	Vending/game machine, locker, ATM machine, metal cabinet, safety box, etc.
Speciality	<ol style="list-style-type: none"> 1. Stainless steel lock head, anti-drill and pick resistant. 2. Top security disc tumbler lock system. 3. Handle convenient. 4. Customer-oriented development available.