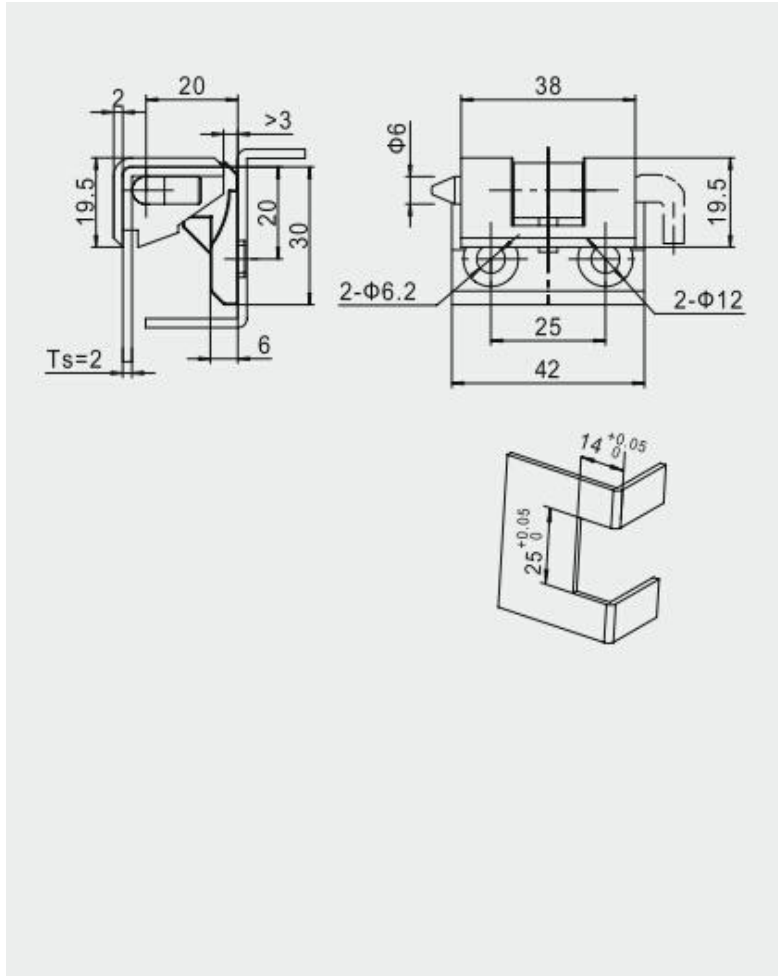


Corner Door Removal Hinge MK903



Material	Zinc alloy, steel
Finished	Gray chrome, black powder coating
Key Combination	
Applications	Terminal equipment, electrical/metal/wooden cabinet, underground strobe, vending/game machine, locker, AD showcase, vehicle, street kiosk, server, etc.
Speciality	<ol style="list-style-type: none"> 1. Durable die-cast metal construction. 2. Removable hinge pins provide for easy door removal for maintenance and service access. 3. Customer-oriented development available.