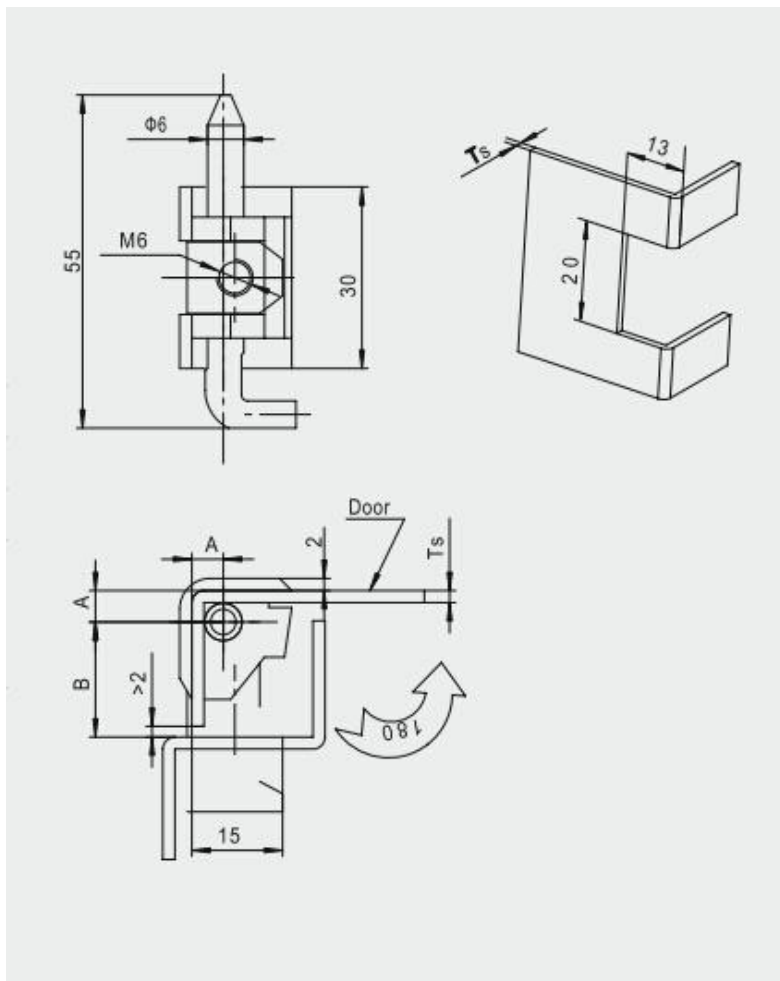


Hinge for Cabinet MK904



Material	Zinc alloy, steel
Finished	Gray chrome, black powder coating
Key Combination	
Applications	Terminal equipment, electrical/metal/wooden cabinet, underground strobe, vending/game machine, locker, AD showcase, vehicle, street kiosk, server, etc.
Speciality	<ol style="list-style-type: none"> 1. Stronger cabinet hinge. 2. Customer-oriented development available.

Learn more Locks products on <http://www.makelocks.com/>

Copyright © Xiamen Make Locks Manufacturer Co., Limited