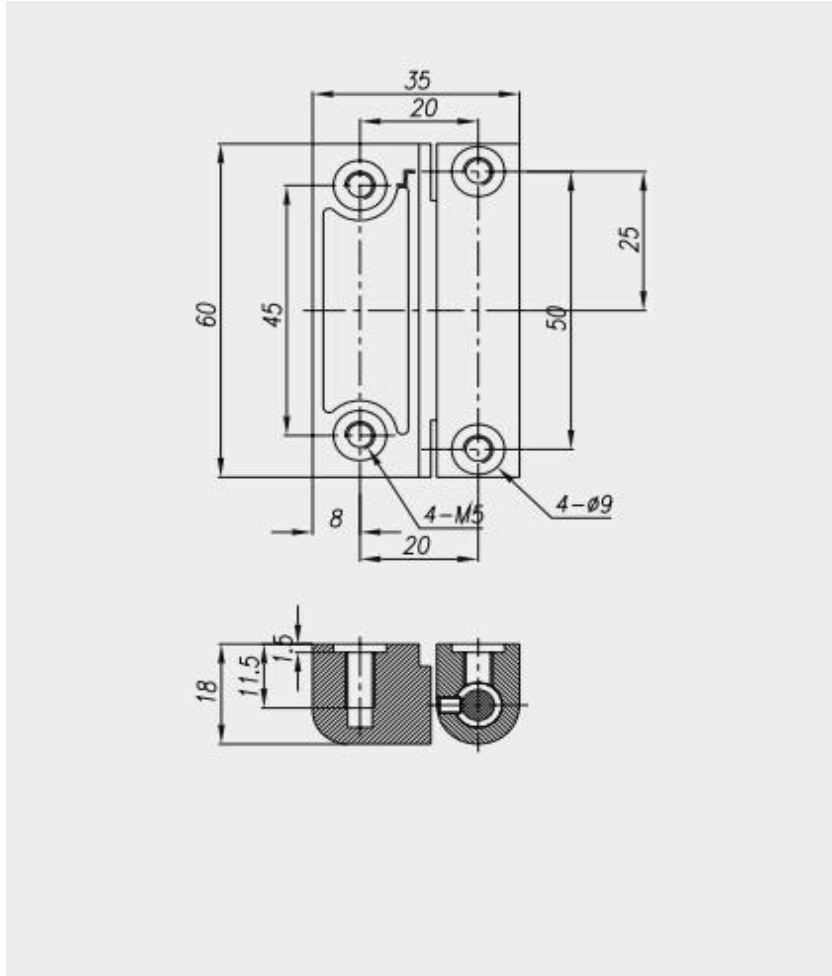


## Stronger Cabinet Hinge MK905



|                 |   |
|-----------------|---|
| Material        | Zinc alloy, steel   |
| Finished        | Gray chrome, black powder coating   |
| Key Combination |   |
| Applications    | Terminal equipment, electrical/metal/wooden cabinet, underground strobe, vending/game machine, locker, AD showcase, vehicle, street kiosk, server, etc. |
| Speciality      | <ol style="list-style-type: none"> <li>1. Stronger cabinet hinge.</li> <li>2. Customer-oriented development available.</li> </ol>                       |

Learn more Locks products on <http://www.makelocks.com/>

Copyright © Xiamen Make Locks Manufacturer Co., Limited