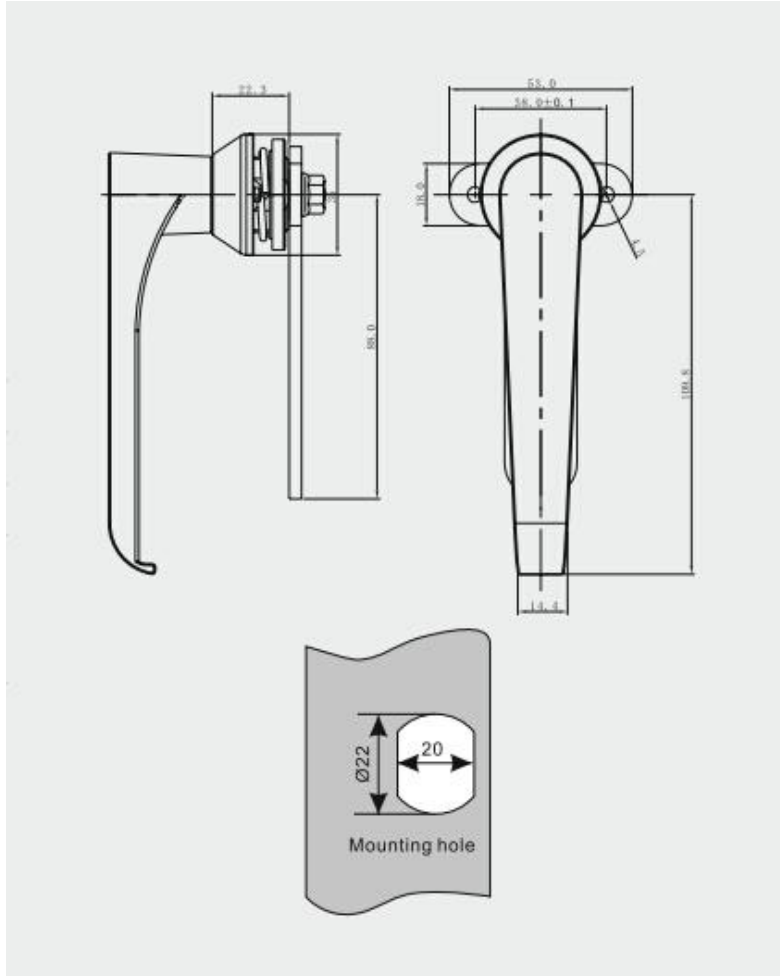


L-handle Lock MK405-3



Material	Zinc alloy
Finished	Shiny chrome
Key Combination	
Applications	Electrical equipment, machine and equipment, switchgear box, electrical/metal/wooden cabinet, underground strobe, train, showcase, street kiosk, server, locker, etc.
Speciality	<ol style="list-style-type: none"> 1. L-handle lock 2. Stronger handle and durable finish. 3. 90° rotation to open or close.

Learn more Locks products on <http://www.makelocks.com/>

Copyright © Xiamen Make Locks Manufacturer Co., Limited