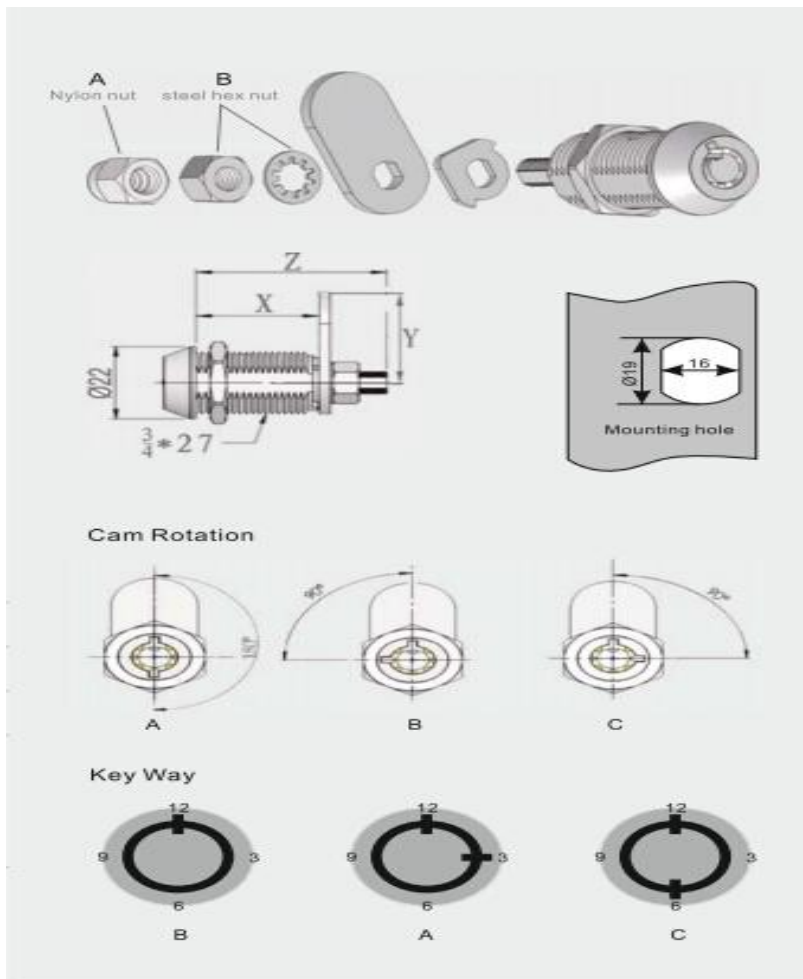


17.5mm Radial Pin Cam Lock MK100BS



| | |
|-----------------|---|
| Material | Zinc alloy, brass, steel & stainless steel. |
| Finished | Bright chrome, nickel |
| Key Combination | Over 10,000 |
| Applications | Intellectualized terminal equipment, metal/wooden cabinet, underground strobe, vending/game machine, locker, AD showcase, coin-op, mail box & tools box, street kiosk, furniture, POS, parking meter, etc. |
| Speciality | <ol style="list-style-type: none"> 1. Master and manage key systems for selection. 2. 7 pins or 10 pins available. 3. Higher security with anti-drill ball. 4. Customer-oriented development available. |