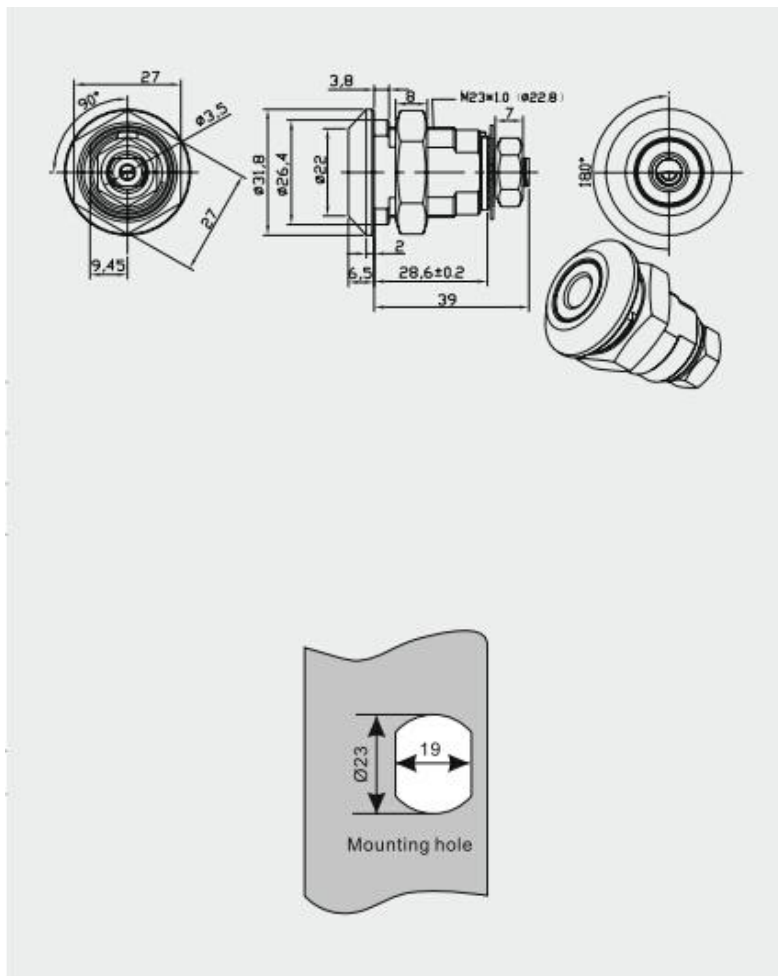


Stainless Steel Cam Lock MK102S-27



Material	Harden steel, brass
Finished	Bright chrome, nickel
Key Combination	Over 10,000
Applications	Intellectualized terminal equipment, metal/wooden cabinet, pay phone, underground strobe, vending/game machine, safety box, locker, coffer, AD showcase, coin-op, vehicle, mail box & tools box, transport container, rifles outboard engine, street kiosk, gun-stock, trailer, train, parking meter, etc.
Speciality	<ol style="list-style-type: none"> 1. Top security disc key system, four type key selection. 2. Durable material anti rust, anti drill. 3. Special cam. 4. Customer-oriented development available.