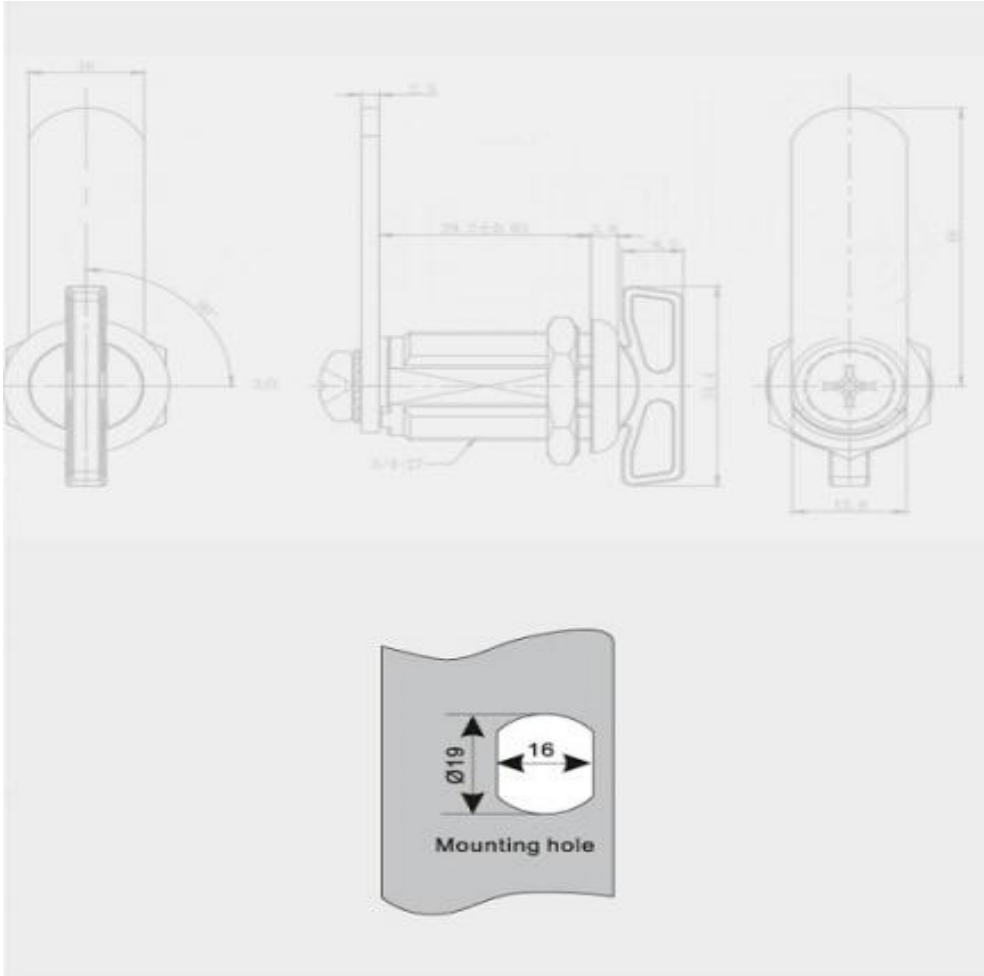


## T-handle Cabinet Cam Lock MK407-8



Material	Zinc alloy
Finished	Bright chrome, nickel
Key Combination	
Applications	Intellectualized terminal equipment, metal/wooden cabinet, underground strobe, vending/game machine, locker, AD showcase, coin-op, mail box & tools box, street kiosk, furniture, POS, parking meter, etc.
Speciality	1. Handle smoothly. 2. Customer-oriented development available.

Learn more Locks products on <http://www.makelocks.com/>

Copyright © Xiamen Make Locks Manufacturer Co., Limited