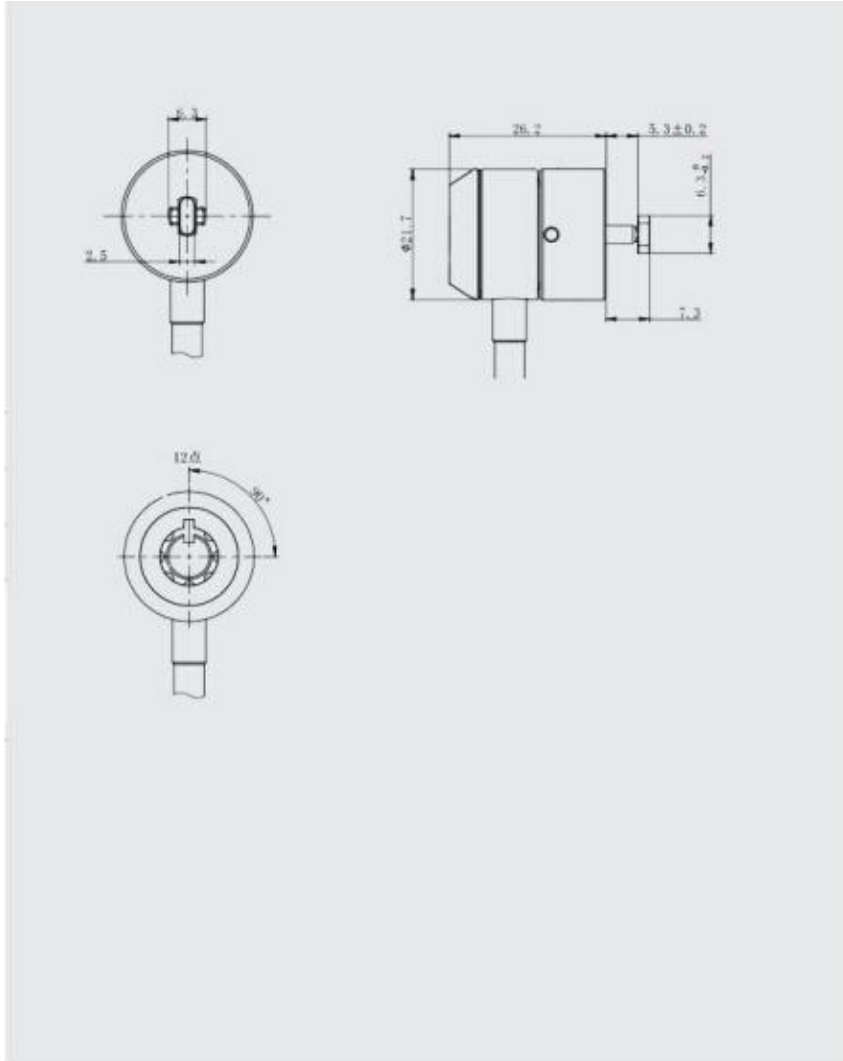


Satin Chrome Plated Laptop Lock MK806



Material	Zinc alloy lock head, steel cable
Finished	Stain chrome lock, PVC coating cable
Key Combination	
Applications	Laptop, desktop, notebook, digital camera, printer, projector, etc.
Speciality	<ol style="list-style-type: none"> 1. Seven pin tubular lock mechanism for pick resistance. 2. With satin chrome plated RoHS compliance. 3. Easy to install & use in the office or traveling.