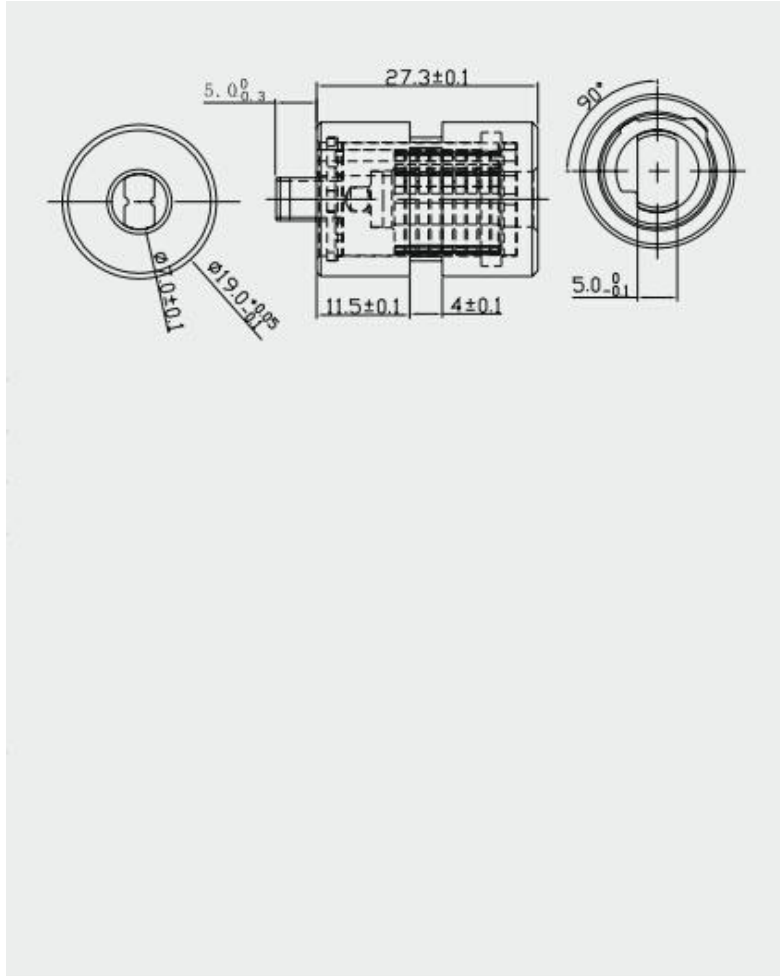


Stainless Steel Lock Barrel MK102S-22



| | |
|-----------------|---|
| Material | Stainless steel |
| Finished | |
| Key Combination | 10,000 |
| Applications | Vehicle, transport container, rifles outboard engine, trailer, train, automobile, boat, etc. |
| Speciality | <ol style="list-style-type: none"> 1. Weather resistant lock for durable material, anti-rust. 2. Top security disc tumbler system, four type of key available. 3. Customer-oriented development available. |