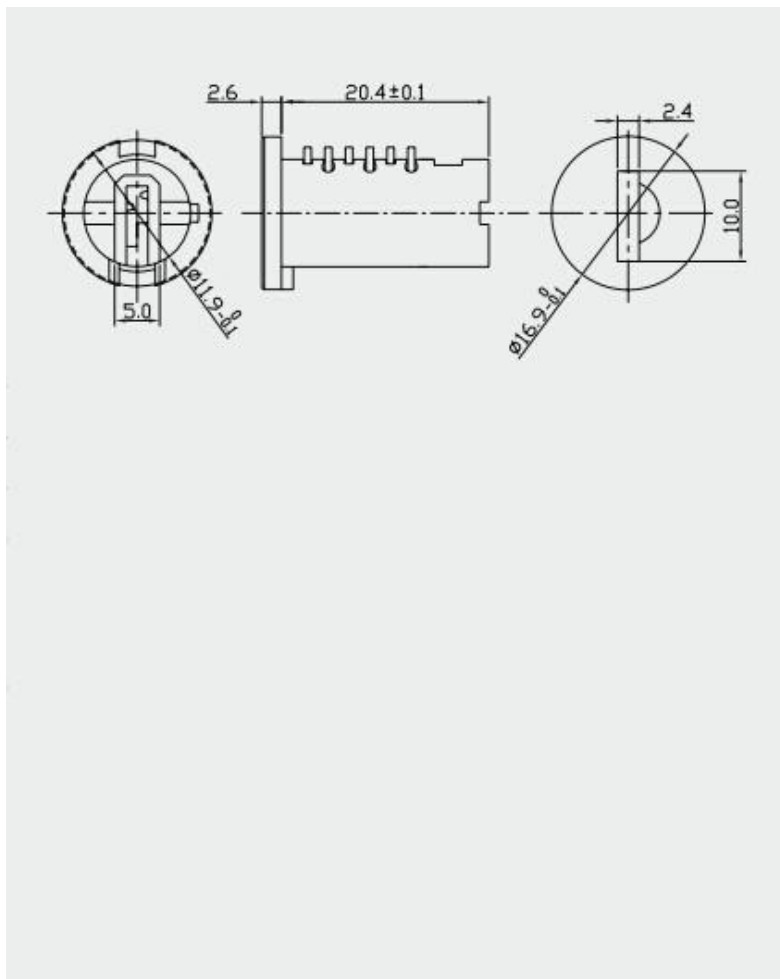


## Flat Key Lock Barrel MK104-09



Material	Zinc alloy
Finished	
Key Combination	1000
Applications	Electrical equipment, machine and equipment, switchgear box, electrical/metal/wooden cabinet, train, showcase, street kiosk, server, locker, etc.
Speciality	<ol style="list-style-type: none"> <li>1. Dust cover lock.</li> <li>2. Superior wafer key.</li> <li>3. Customer-oriented development available.</li> </ol>

Learn more Locks products on <http://www.makelocks.com/>

Copyright © Xiamen Make Locks Manufacturer Co., Limited