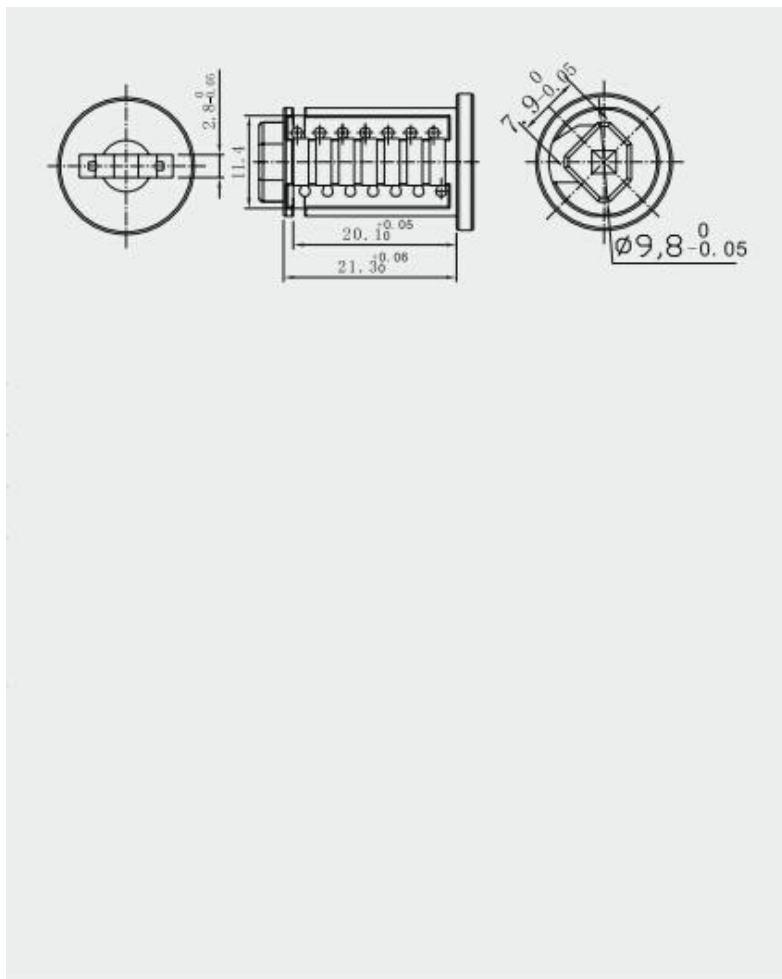


Laser Key Lock Barrel MK110-07



Material	Zinc alloy
Finished	Bright chrome
Key Combination	10,000
Applications	Electrical equipment, machine and equipment, switchgear box, electrical/metal/wooden cabinet, train, showcase, street kiosk, server, locker, etc.
Speciality	<ol style="list-style-type: none"> 1. Security laser key system. 2. Customer-oriented development available.