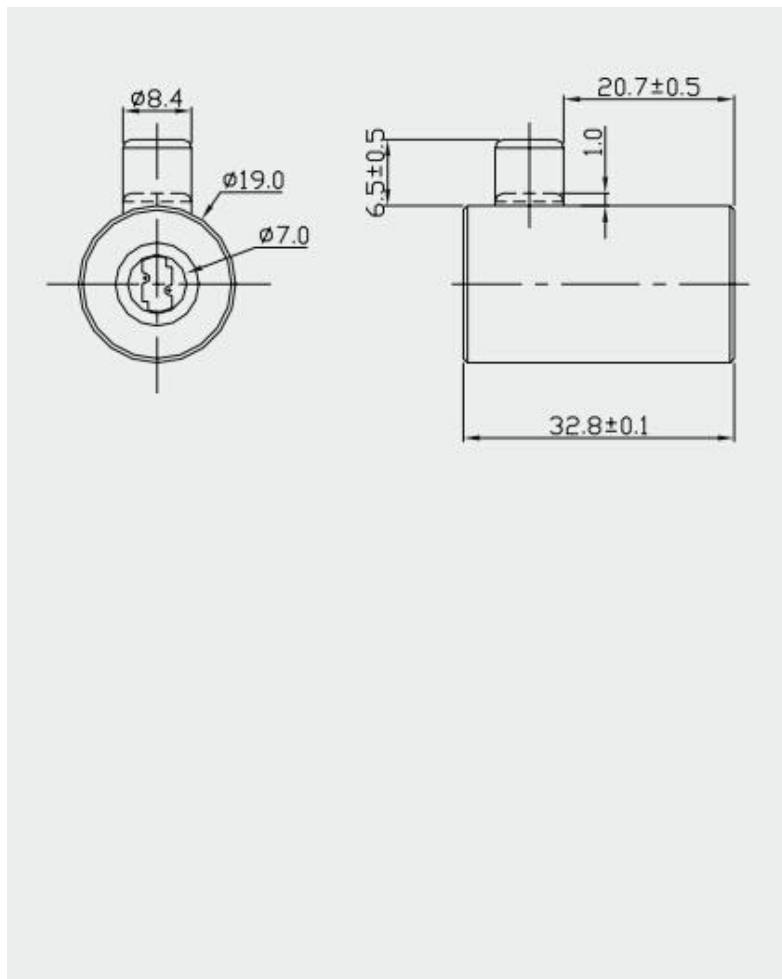


Disc Tumbler Plunger Lock Barrel MK206-2



Material	Harden steel
Finished	Bright chrome
Key Combination	10,000
Applications	Vehicle, transport container, rifles outboard engine, trailer, train, automobile, boat, etc.
Speciality	<ol style="list-style-type: none"> 1. Durable material anti rust, water proof. 2. Top security disc key, four type of key selection. 3. Customer-oriented development available.

Learn more Locks products on <http://www.makelocks.com/>

Copyright © Xiamen Make Locks Manufacturer Co., Limited