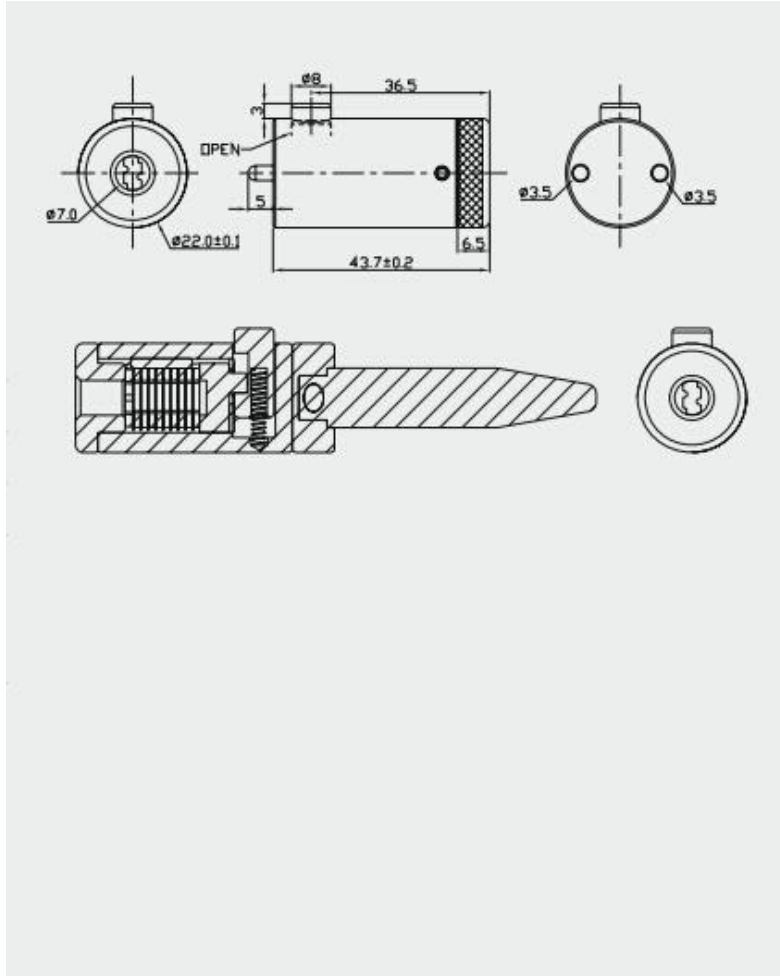


## Powder Coating Vehicle Lock MK206-04



Material	Steel
Finished	Bright chrome, black powder coating.
Key Combination	10,000
Applications	Automobile, truck, trailer, van, car, etc.
Speciality	<ol style="list-style-type: none"> <li>1. Gear lock design for different truck.</li> <li>2. Spindle size different available.</li> <li>3. Stronger material and security key system.</li> <li>4. Customer-oriented development available.</li> </ol>