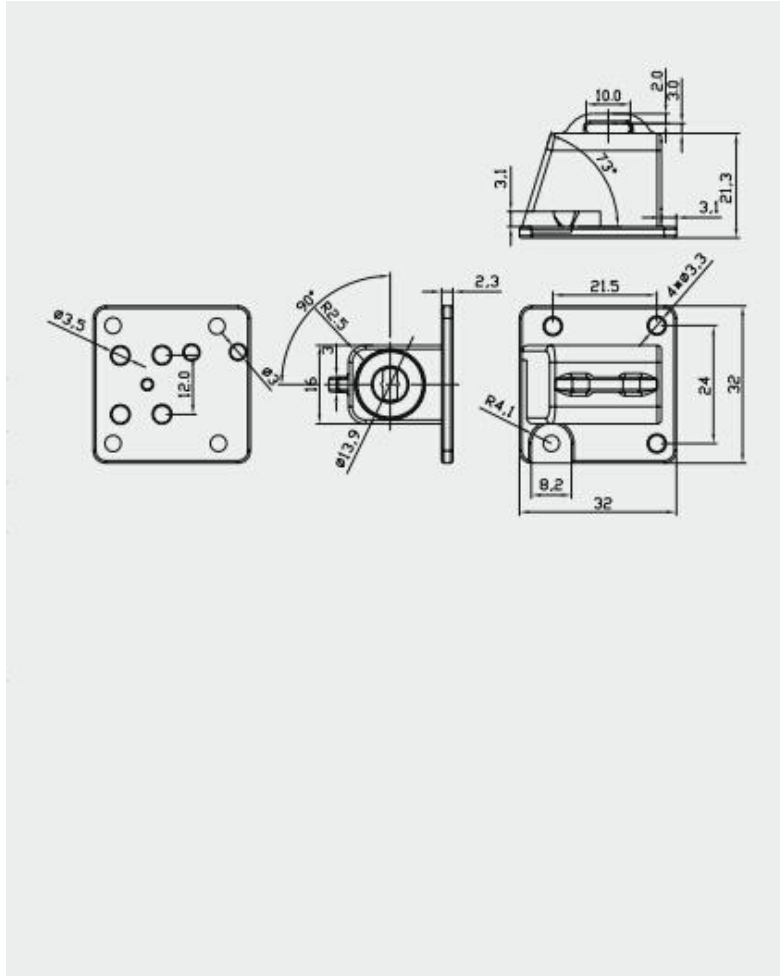


High Security Bag Lock MK506-3



Material	Zinc alloy
Finished	Gray chrome
Key Combination	10,000
Applications	Luggage, bag, cash box, cash bag, etc.
Speciality	<ol style="list-style-type: none"> 1. Stronger material and top security disc key system. 2. Customer-oriented development available.

Learn more Locks products on <http://www.makelocks.com/>

Copyright © Xiamen Make Locks Manufacturer Co., Limited