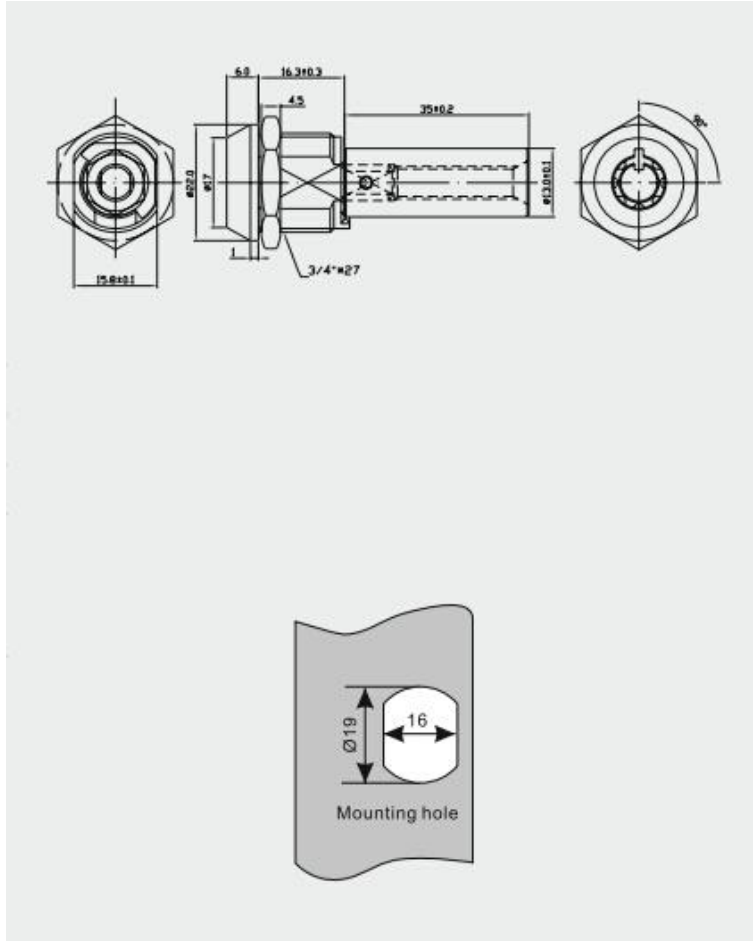


Vending Screw Lock MK100BS-11



Material	Zinc alloy
Finished	Bright chrome, nickel
Key Combination	Over 10,000
Applications	Vending/game machine, locker, ATM machine, metal cabinet, safety box, etc.
Speciality	<ol style="list-style-type: none"> 1. Spindle with outer thread. 2. Customer-oriented development available.